

SPECIFICATION & DATA SHEET

ACETYLENE MANIFOLDS

ACETYLENE MANIFOLDS



Pressure control panel BT2000AC-1x1-M-KH-SV-0 for acetylene complete with over-pressure valve SV73

Product features

- Wall-mounting pressure control panels for acetylene
- Designed for easy installation
- Single-stage systems, modular design (to be extended to 1x2, 1x3, 2x1, 2x2, 2x3 etc. cylinders)
- Pressure regulator with high control accuracy and integrated relief valve for protection of the device
- Pressure control panels comply with DIN-EN-ISO 14114 and DIN-EN-ISO 15615
- With all BAM-tested safety devices, e.g.:
- Quick-acting shut-off valve
- Flashback arrestor
- optionally: over-pressure valve *
- optionally: automatic quick-acting shut-off device
- optionally: Acetylene Safety Guard (ASG)

Attention:

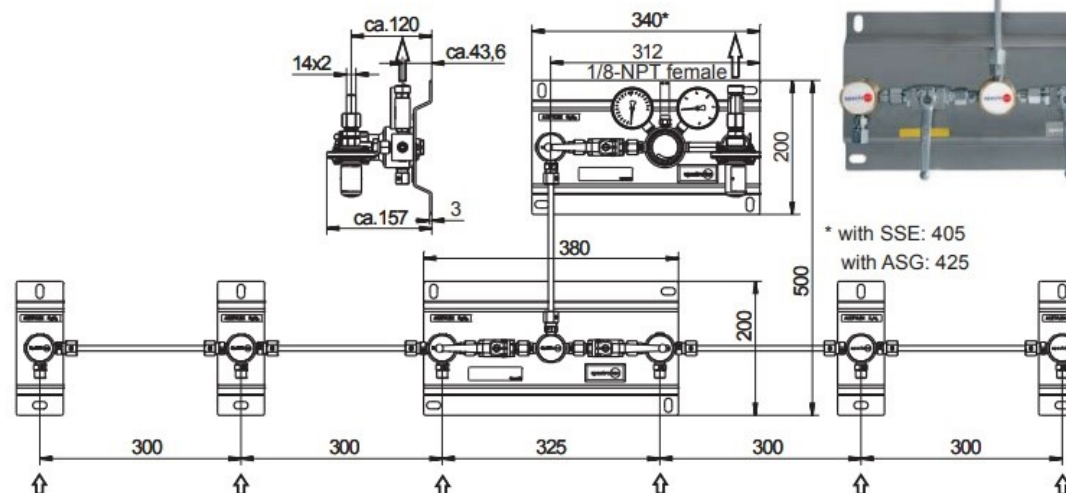
Acetylene withdrawal systems may need to be certified before commissioning. Always refer to the local rules and regulations regarding such certifications.

* An over-pressure valve cannot be used as an safety accessory according to the Pressure Equipment Directive (PED).

Technical data

Type	single-stage
Inlet pressure P ₁	max. 25 bar
Outlet pressure P ₂	max. 1,5 bar
Materials	
Body regulator:	brass
Diaphragm regulator:	EPDM
Valve seat regulator:	PA
Mounting plate:	stainless steel
Ball valve:	Steel, zinc-plated
Connection tube:	Steel, zinc-plated
Connectors	
Inlets:	M16 x 1,5 male
Outlet flashback arrestor:	1/4"-NPT female
Outlet relief valve:	1/8"-NPT female
Outlet over-pressure valve:	welding stub 14 x 2

Dimensions - Pressure control panel BT2000AC; e.g. BT2000AC-2x3-M-KH-SV-0
2x3-cylinder system :



The right is reserved to change the specification of the items described herein at any time.

Temperature range	-30°C to +60°C
Leak rate	<10 ⁻⁴ mbar l/s He
Weight	
BT2000AC-1x1:	4,7 kg
Shut-off unit:	2,8 kg
Single extension:	1,1 kg

Pressure control panel BT2000AC-2x1-M-KH-SV-0 for acetylene with SV73

