

SPECIFICATION & DATA SHEET

LABORATORY GAS MANIFOLD RANGE

The MIPS range of Spectron manifolds is designed for economy, reliability and durability.



Pressure control panel BM56-2U

Features & Benefits:

- Fully complies with BCGA Codes of Practice and covered by a full warranty
- Robust wall-mounted framework (floor-mounted option available)
- Modular design leads to flexible extensions
- Highly visible gauges for cylinder contents and pipeline pressure
- High-pressure cylinder connection hoses to BSEN ISO 14113
- Cylinder support chains and racks included
- Includes safety-relief-valve and isolation valve
- Full range of models up to quality 6.0

Optional external weatherproof enclosures



Pressure control panel BT2000AC-2x1-M-KH-SV-0 for acetylene with SV73



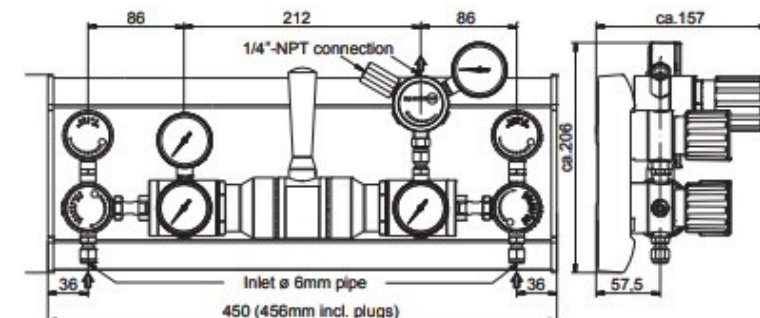
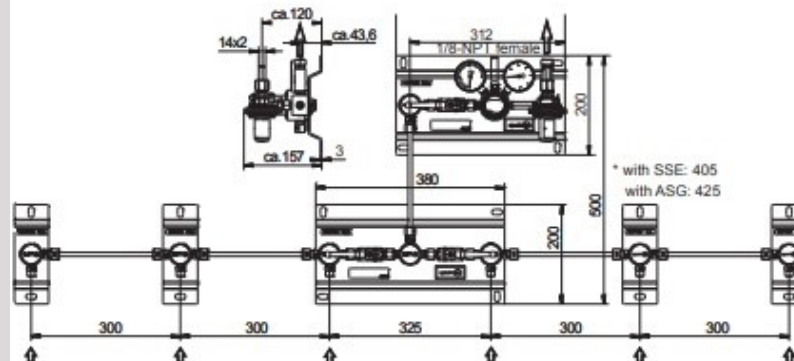
CRS2000V-2L automatic change-over model



CRS2000V-2 manual change-over model



CRS2000V-1 single-sided model



The right is reserved to change the specification of the items described herein at any time.